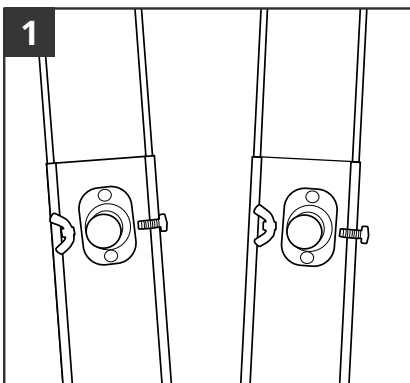
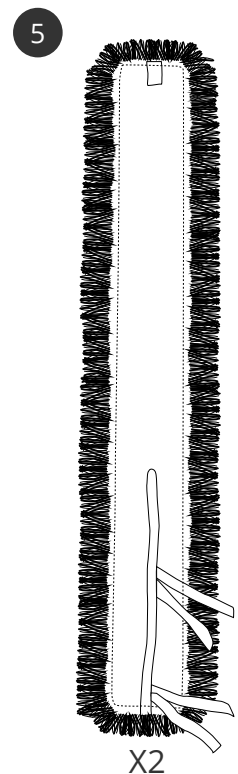
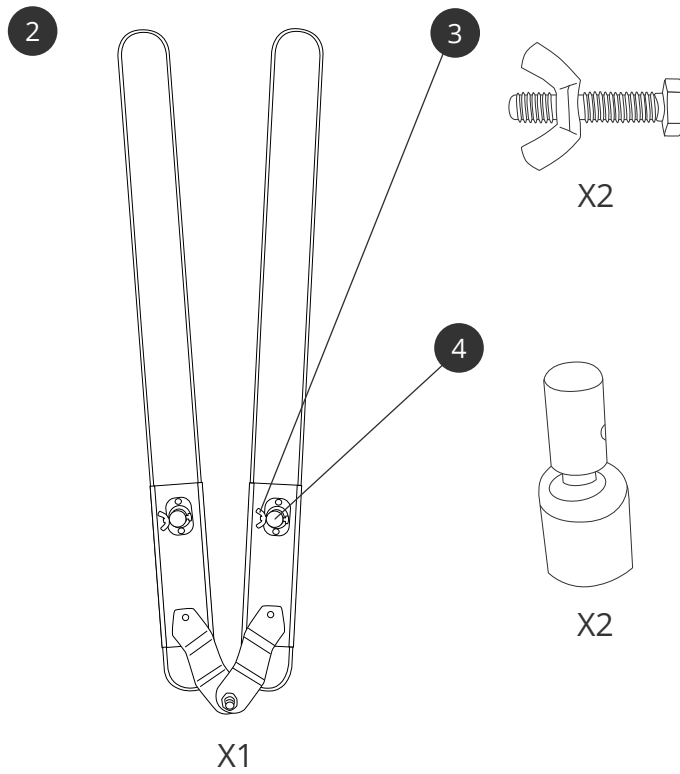
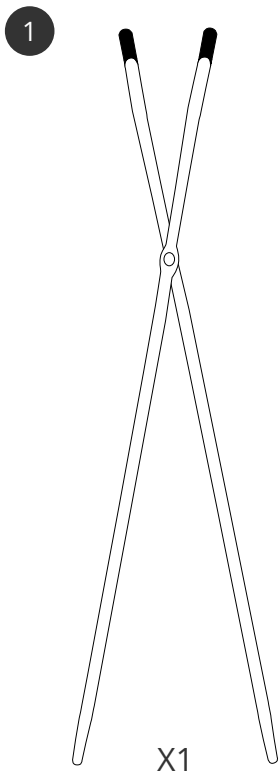
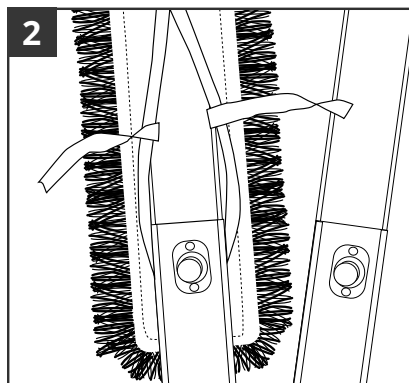


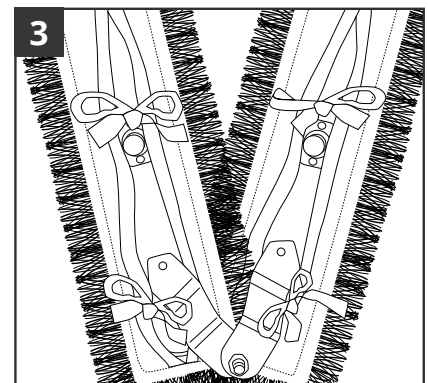
V-Sweeper Assembly Instructions



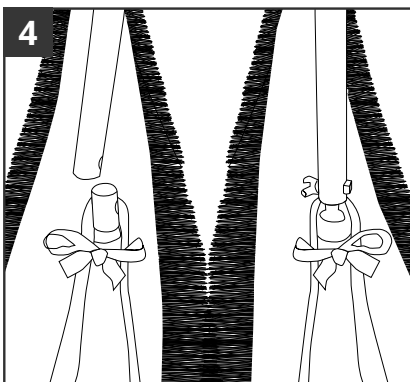
Step 1: Remove nuts & bolts (3) from connectors (4) on the frame (2) & keep safe.



Step 2: Slide mop heads (5) onto both frames (2).



Step 3: Tie tags together over the frame (2).



Step 4: Place handle (1) over the connector (4) on the frame. Match the holes on the handle & connector, push bolt through hole & secure with nut tightly.



You can now use your V-Sweeper to pick up dust and dirt!